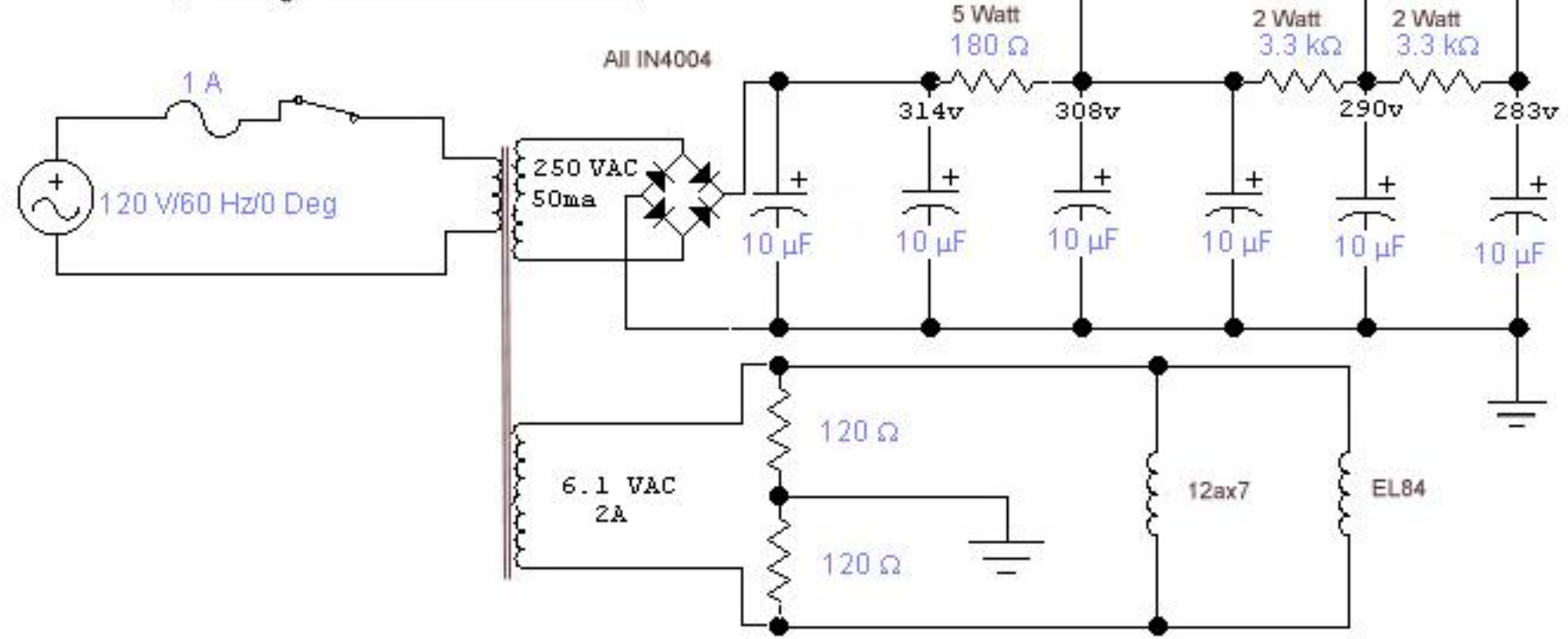


RA 10 Rocket Amplifier  
 All resistors 1/4 watt  
 All electrolytics 50v  
 All Filters 450 V







I just finished this schemo, that I assembled from the two incomplete schemos that are floating around. I own one of these, so I verified all the values and the complete schematic, as well as all the critical voltages, and the plate current. The Rocket A-10 is a single EL84 amp that sounds like a plexi at low volumes. It is mated to a celestion vintage 30. This amp is very loud for its size. Feel free to put this on your website.....JOe

I believe the bright switch just has treble cap bypass the volume. Yes, this amp was made by the ADA dudes that made the MP-1, ect. It was made around '95, but didn't sell as well as they hoped. Some of that might have been the \$500+ price tag. They sound excellent, much better than the AX-84 project amps that I've heard. I'm about ready to make this amp with a quad single ended output. It has a relatively high plate voltage for a single ended design, but man is it loud! It has an excellent clean sound as well, just rather quiet, comparatively. And you can use any spare 50watt 616 iron that is sitting around. Thanx, Joe

> Joe:

>

> Looks pretty good! So is that "ADA" as in the "MP-1" preamps, etc.?

> Are they still around or is this an older amp?

>

> So is the bright switch drawn up correctly? I see no "bright cap"-

> just a shunt from the top of the volume control to the wiper. Or does

> that work as a bright switch?

>

> Thanks!

>

> Steve Ahola

Ya know, I'll have to check out that bright switch. That doesn't look right to me either. It was on the original schemo, and I just assumed it was correct. Thanx, Joe

O.K., here's the corrected schemo. I went through the whole circuit board and checked out all the switch areas. I think the 10meg resistor is to make the switch quieter. Thanx for noticing the error!