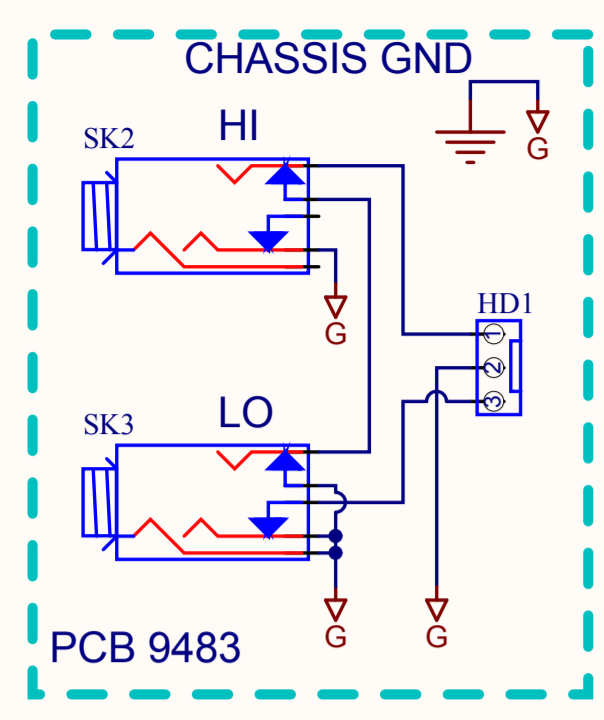
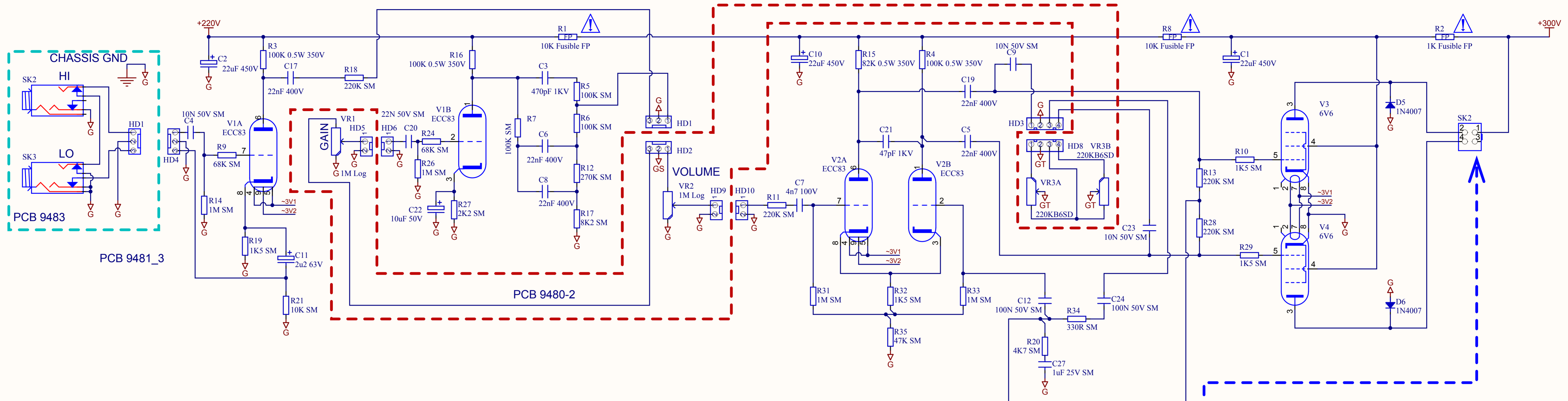


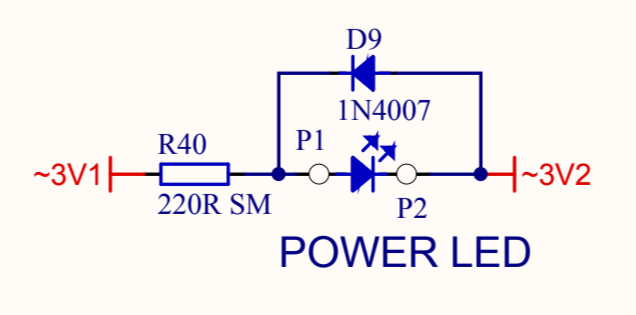
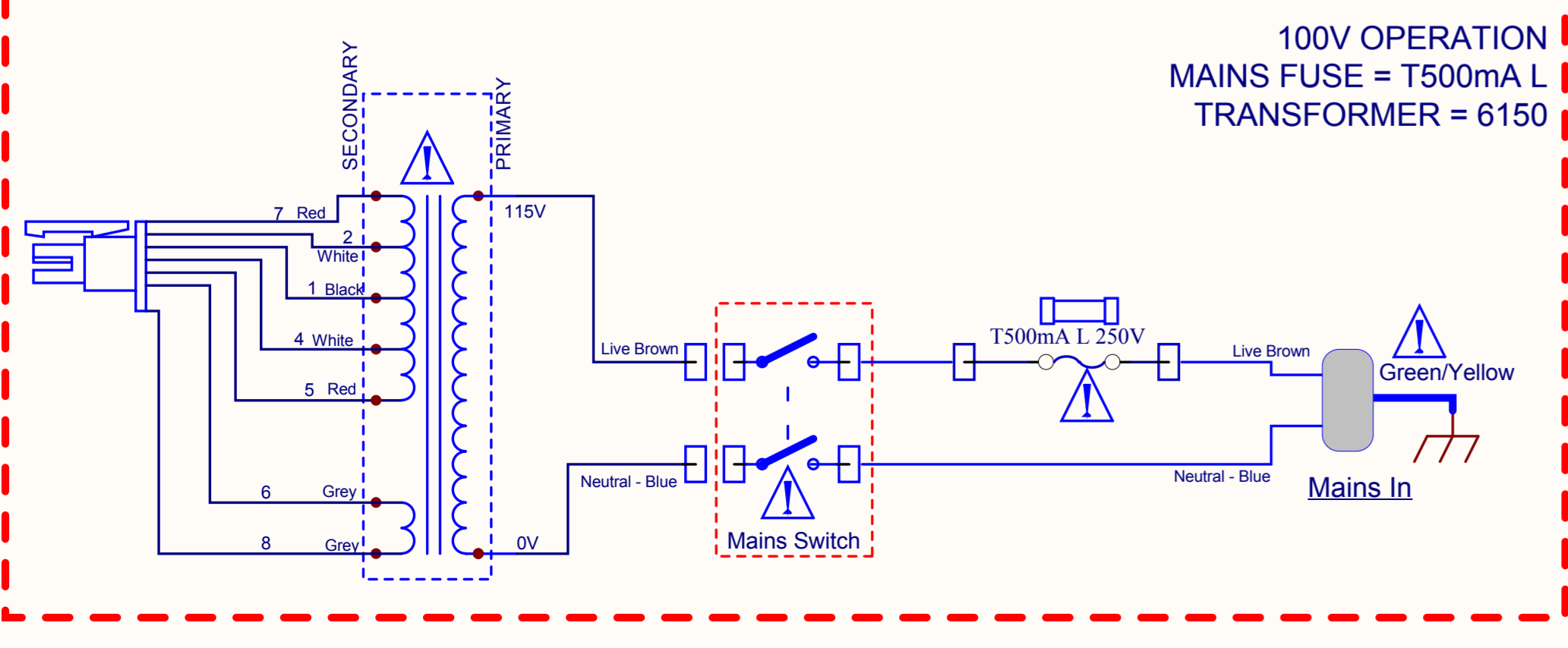
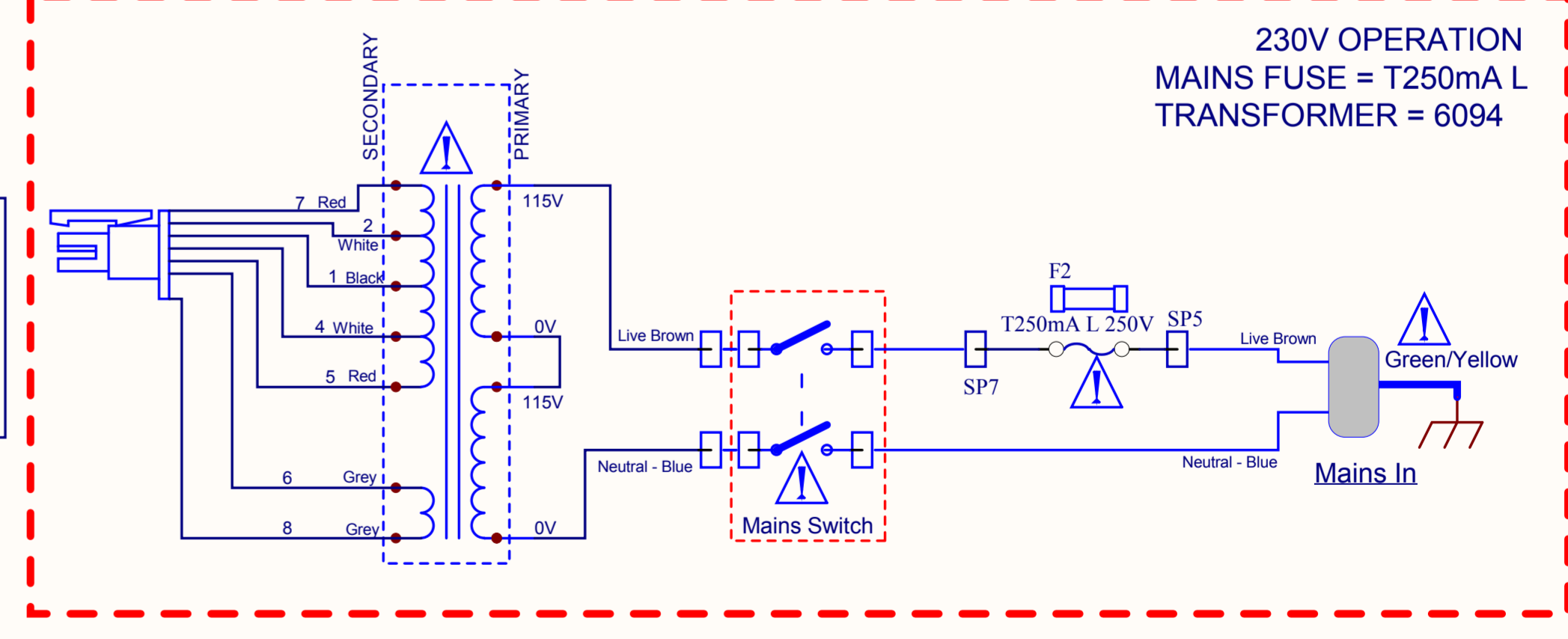
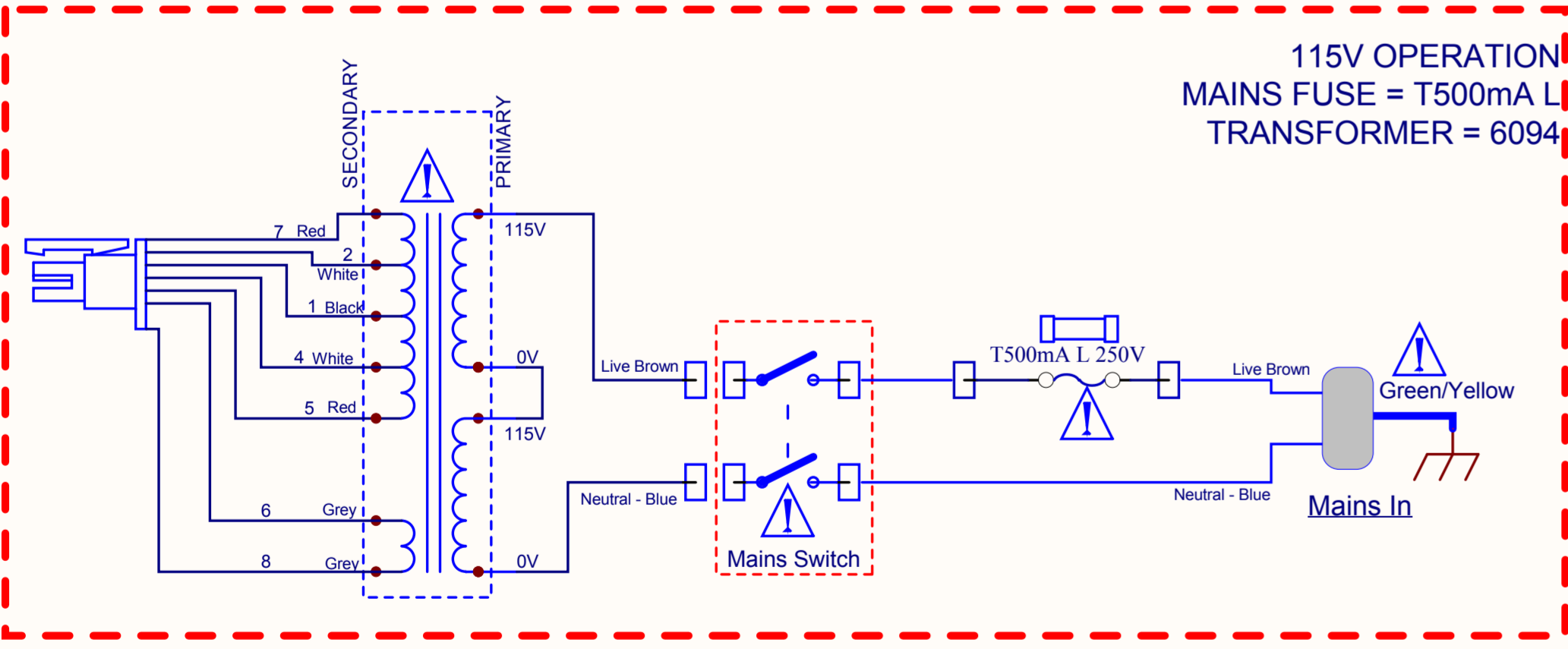
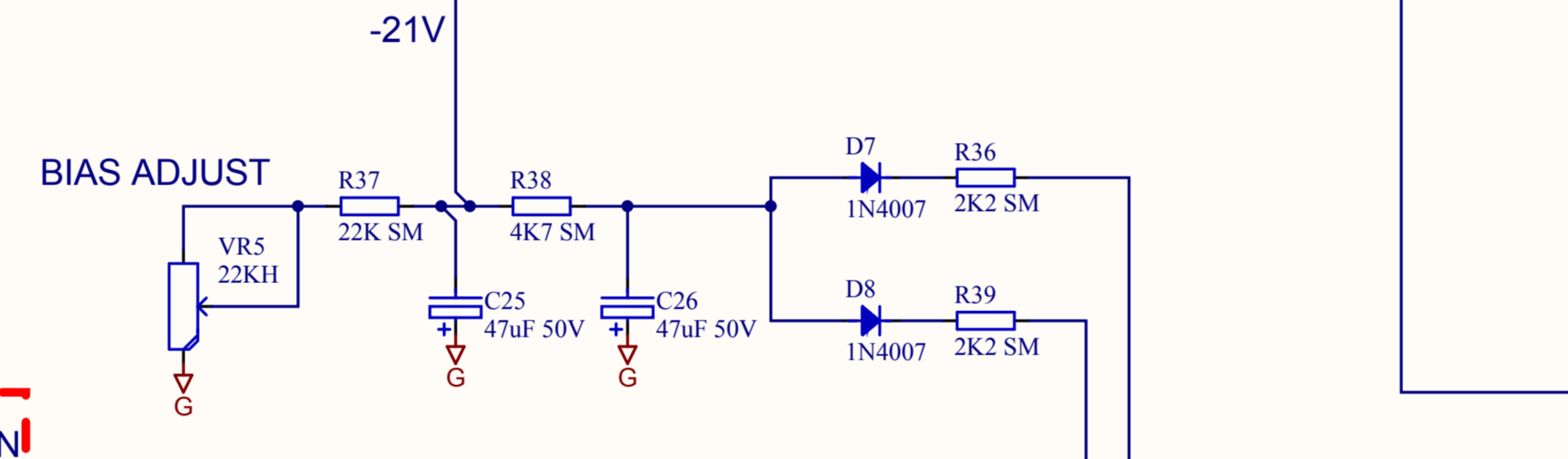
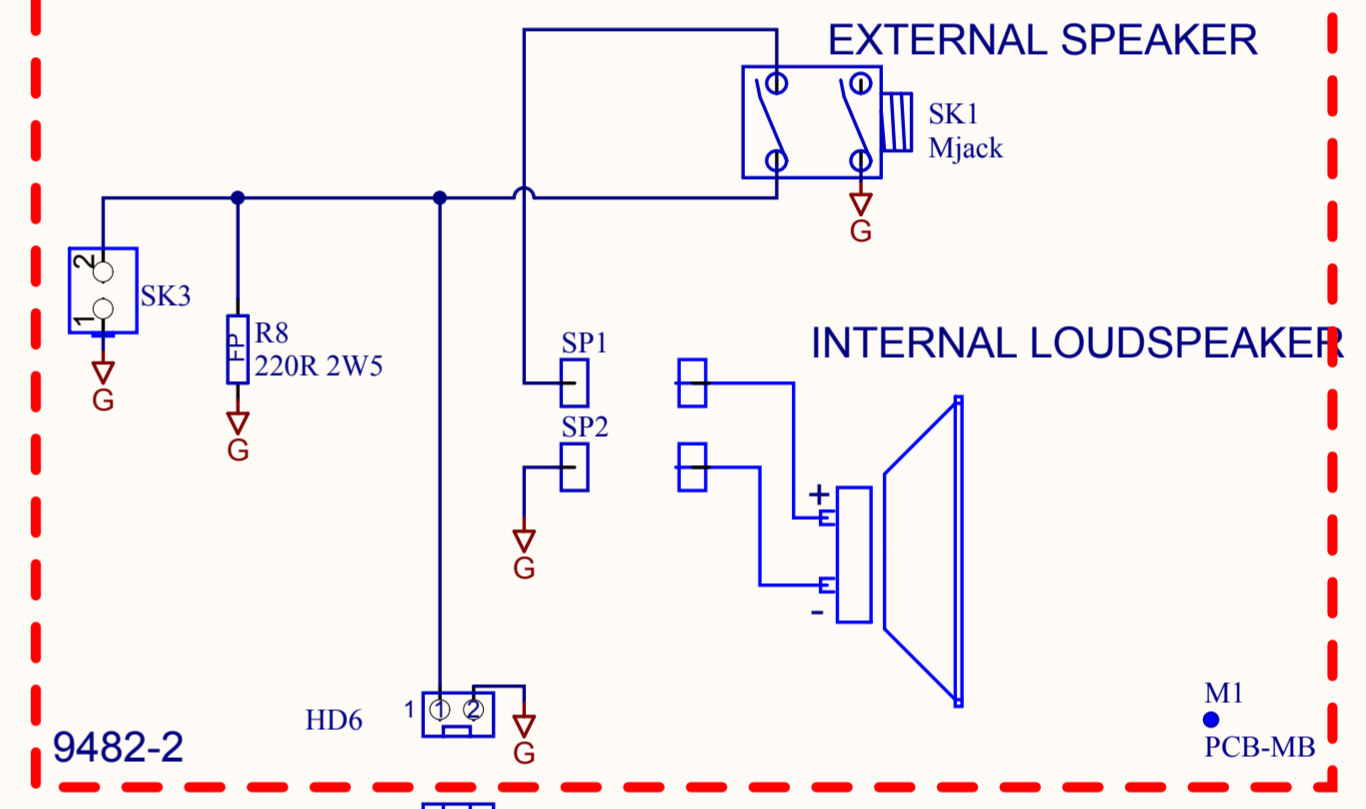
CUB-10
Service Information

Laney
POWER TO THE MUSIC
www.laney.co.uk



PCB 9481_3

PCB 9480-2



Indicates safety critical component
Must only be replaced with approved type
Flame Proof Resistor.
Must only be replaced with same type and rating.

MAE-13T
MAE-13T MAE-13T

Title: CUB-10 SYSTEM SCHEMATIC		
Size: A3	Number: VARIOUS	Revision: 3
Date: 06/05/2009	Time: 14:11:23	Sheet 1 of 1
Original File: 9481.SchDoc		

SteelPark Road
Coombs Wood
Industrial Estate West
Halesowen
UK
www.laney.co.uk



ADJUST BIAS ON JUNCTION OF R13/R28 TO -21V USING VR5

CUB-10 SPARE PARTS LIST

Laney

Model No. CUB-10 (2009)						
SPARES ITEM	DESCRIPTION		PART No.	Qty. in Chassis Assy		
Transformers	100V	6150 15W Tube Output Transformer 100V	006150	1		
	120V	6094 15W Tube Mains Transformer 115/230V	006094	1		
	230V	6094 15W Tube Mains Transformer 115/230V	006094	1		
	O/P	15W Tube Output Transformer	006093	1		
Switch	Power	R13-428 DPST Toggle Switch	007658	1		
	LED	Faceted LED (Red)	007654	1		
Wiring Looms	4 Way Ribbon Loom 150mm		007498	1		
	3 Way Ribbon Cable 150mm		007706	1		
	2 Way Screened Loom 200mm		007518	1		
	3 Way Screened Loom 250mm		007978	1		
	2 Way Screened Loom 150mm		007492	1		
	2 Way Screened Loom 100mm		007493	1		
PCB's	9482 - Cub-8/Cub-10 2009 Speaker Output PCB Complete		007687	1		
	6.3 Horizontal Jack Socket-Mono		005002	1		
	9481 - Cub-10 Tube PCB Complete		007699	1		
	100 µF 450V Radial Electrolytic Capacitor		002030	1		
	22 µF 450V Radial Electrolytic Capacitor		007204	3		
	10K 5% 0.33W Fusible Non-Flamable Resistor 250V		007754	2		
	1K 5% 0.33W Fusible Non-Flamable Resistor 250V		007755	1		
	6.0A Poly Switch		007390	1		
	9480 - Cub-10 2009 - Fascia Control PCB		007700	1		
	Pots	VR1	1M Log Pot 6mm Spline	004070	1	
			Bracket	005127	1	
		VR2	1M Log Pot 6mm Spline	004070	1	
			VR3	220K Lin Dual Pot 6mm Spline	007535	1
	9483 - Cub-8 /Cub-10 2009 Input PCB		007690	1		
6.3 Vertical Stereo Jack,gold, Chassis Grounding		007591	2			
Tubes & Bases	Preamp	ECC83 Tube	005550	2		
		B9A Valve Base PCB Mount	007531	2		
	O/P	6V6GT Tube	005557	2		
		Octal Valve Base PCB Mount	007551	2		
Cabinet	Cub-10 2009 Cabinet Minus Loudspeaker		007701	1		
	Cub-10 2009 Covered Baffle		007702	1		
	Medium White Chicken Head Knob (Spline)		007208	3		
	Cub-10 2009 Painted & Printed Fascia Metalwork		007698	1		
	Rubber Handle & Clips Assembly. Drg Ref: 4203		007693	1		
	Cub-10 2009 Rear Grille. Drg Ref: 4214		007703	1		
	Laney Badge (Plastic) (Standard Font) 78mm.		007695	1		
	90 degree Plastic Corner (Front) 35mm		010052	4		
	90 degree Plastic Corner (Rear) 35mm		010053	4		
	Celestion Tube 10 8Ohm		51001	1		
	20mm X 10mm Rubber Foot with Steel Insert		007607	4		
	Cub-10 2009 Carton		007704	1		
	Cub-10 2009 User Manual (2009)		007705	1		